



**Description**

- Model MHP822 (formerly MHP802) is our sluice sink with plain top
- Manufactured from grade 304 stainless steel, 1.2mm thick
- Choice of top entry for use with exposed cisterns or back entry for use with concealed cisterns
- Top entry version includes a 520mm stainless steel flush pipe
- Back entry version does not include a flush pipe
- Choice of left or right hand hopper
- Supplied with stainless steel wall brackets and 38mm flush grated waste fitting
- 110mm OD outlet
- Full flushing rim (requires cistern)
- The pressed top conforms to HBN 00-10 Part C and HTM64 standards
- Tap holes drilled to customer specification
- Predominantly used in hospitals and care homes

**Delivery**

- From stock, usually 1 to 3 working days

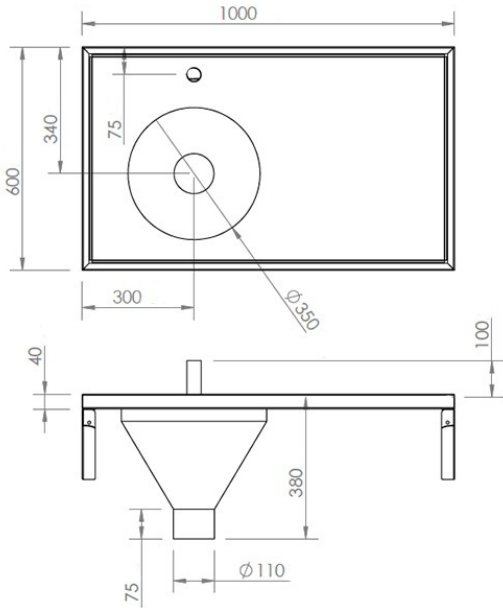
**Dimensions**

- **Height:** 400mm
- **Overall length:** 1000mm
- **Front to back:** 600mm

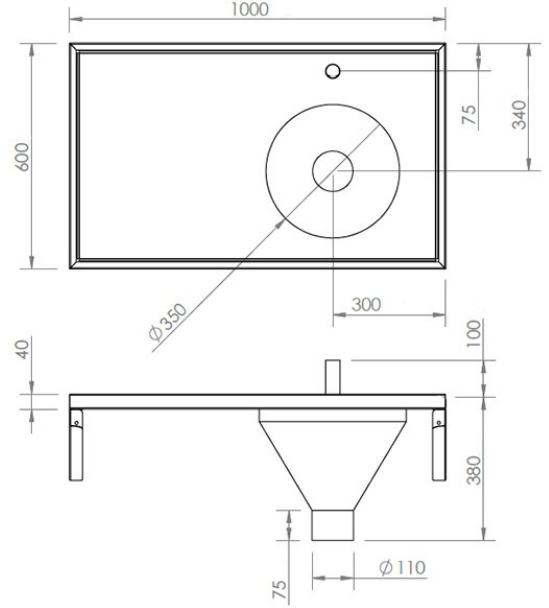
**Optional Extras**

- **MHP-GRID** - stainless steel hinged sluice grid
- **MHP-FL** - front support legs
- **MHP-CISTERN-PLASTIC** - plastic exposed cistern
- **MHP-CISTERN-STAINLESS** - stainless steel exposed cistern
- **WC142-LL-WL** - manual plastic cistern with chrome plated lever
- **WC142-LL-AIR-50** - air operated cistern with chrome plated button, 50mm max wall
- **POLYPTRAP** - 4" polypropylene P trap
- **POLYSTRAP** - 4" polypropylene S trap
- **TAPS FROM OUR EXTENSIVE RANGE**

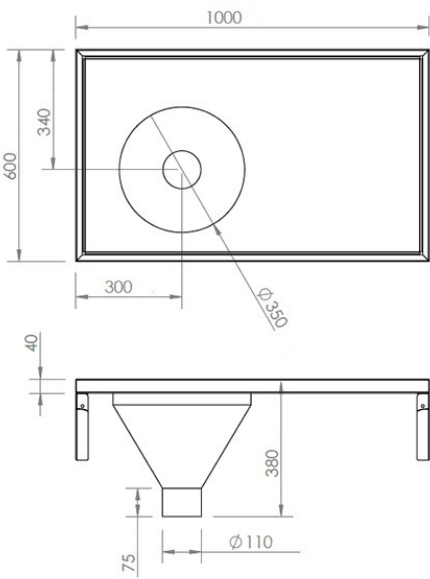
MHP822-L-TE Top Entry



MHP822-R-TE Top Entry



MHP822-L-BE Back Entry



MHP822-R-BE Back Entry

